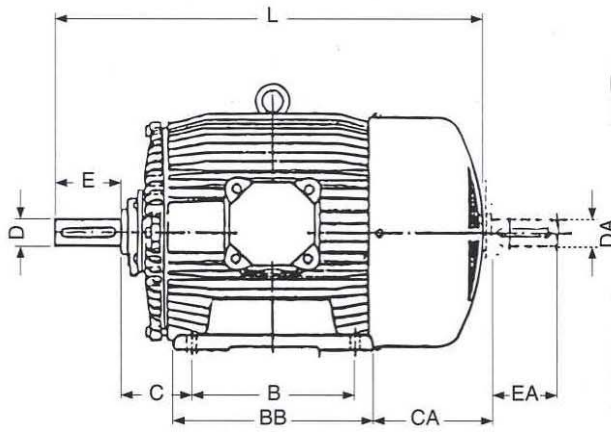
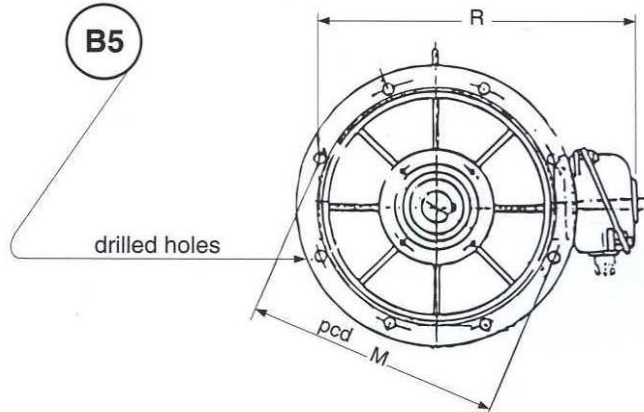
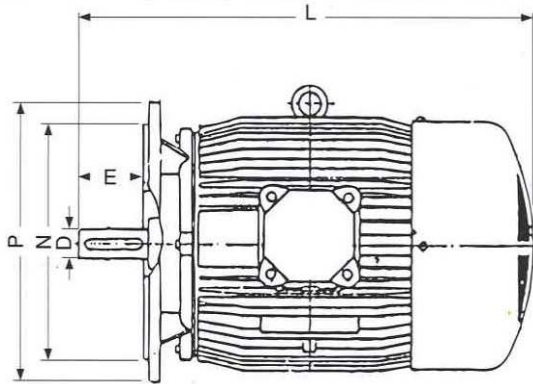


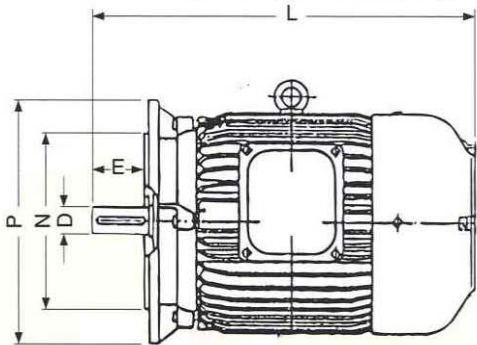
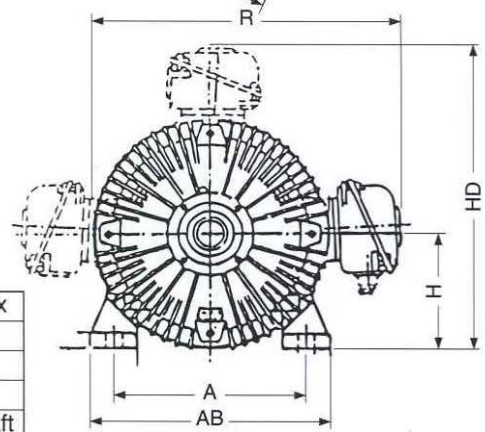


## Motor Data Sheet



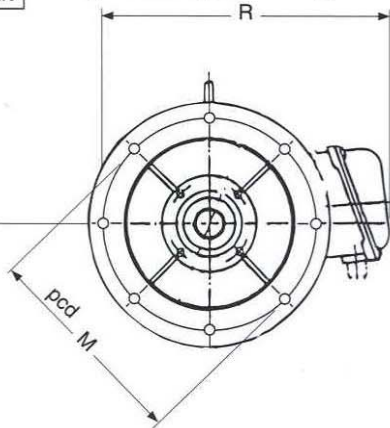
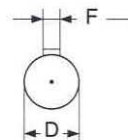
**B3**

connectionbox	
top	
right	
left	
looking to shaft	



**B14**

tapped holes



combinations foot/flange possible

Dimensions in mm

Dimensions in mm															Shaft		
A	B	H	P	N	M	L	BB	AB	C	CA	EA	DA	R	HD	D	F	E
Maker	Type	Kw	Amps	Volts	RPM	Hz	IP	Con. Box									
								Top									
<b>B3</b>		Remarks						Right									
<b>B5</b>			Left														
<b>B14</b>																	